



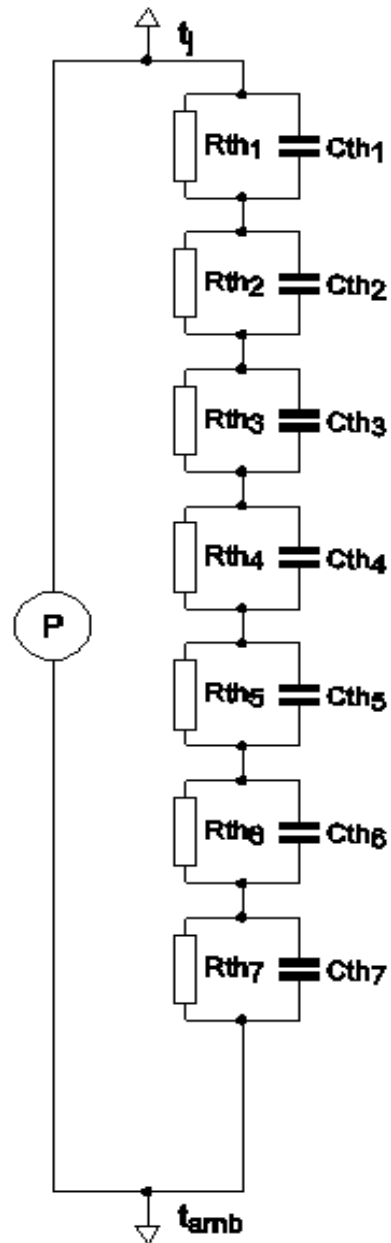
Thermal RC network (Foster)

SPICE thermal model

PSMN4R0-30YLD

Symbol	Parameter	Conditions	Min	Typ	Max	Unit
$R_{th(j-mb)}$	thermal resistance from junction to mounting base		-	-	2.33	K/W

C_{th1}	1.994E-05 F
C_{th2}	1.263E-04 F
C_{th3}	1.427E-04 F
C_{th4}	1.161E-03 F
C_{th5}	1.321E-03 F
C_{th6}	6.227E-03 F
C_{th7}	5.852E-02 F
R_{th1}	4.499E-03 Ω
R_{th2}	9.686E-03 Ω
R_{th3}	6.035E-02 Ω
R_{th4}	9.644E-02 Ω
R_{th5}	5.252E-01 Ω
R_{th6}	1.425E+00 Ω
R_{th7}	2.062E-01 Ω



Part: PSMN4R0-30YLD
 Date: 6/10/2015
 Model Rth 2.33 K/W